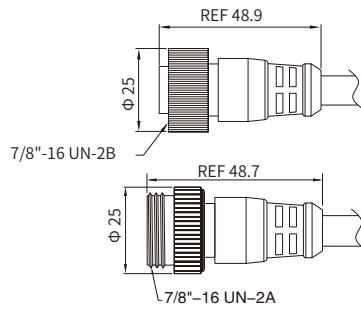


Devicenet Cable 7/8" Male Connector To Female Connector



UL CE RoHS



Wirelist	
1	Shield 1
2	Red 2
3	Black 3
4	White 4
5	Blue 5

Specifications

Contacts	5(Male)	5(Female)
Pin layout		
Connector Series	7/8"	
Contact No.	5 Pins	
Contacts Material	Brass with gold plated	
Nut/Screw Material	Aluminum anodized black	
Connector Insert	TPU	
Over-molding	TPU	
Wire Color	1Pair(Red/Black); 1Pair(Blue/White)	
Jacket Color	Gray	
Jacket Material	PUR/PVC	
Shielding	Available	
IP Rating	IP67/IP69K	
Ambient Temperature	-25°C ~ +85°C (flexible installation) , -40°C ~ +85°C (fixed installation)	
Contacts Type	Crimp version	
Rated current	8A	
Voltage	300V	
Wire gauge/size	18AWGx1Pair+20AWGx1Pair / 15AWGx1Pair+18AWGx1Pair / 16AWGx1Pair+18AWGx1Pair	
Cable jacket	PUR/PVC	
Cable length	Customized Cable Length	

Product Features

- 2-Pair DeviceNet jacket cable
- 7/8" 5 Pins
- Single end with customized cable end process
- Suitable for drag chain
- RoHS compliant

Application Fields

- Automotive Industry
- Mechanical Engineering
- Plant Installation Engineering
- Automation Control
- Tool Room

Product Advantage

- Used for industrial equipment telecommunication
- Improvement of process data management
- Cost-saving Installation
- Low cost but high productivity
- For open internet standards and agreements
- Standardized interfaces

Cable Construction

- Permanently flexible control cable
- Construction: 2Pairs+Shield(AL)+Drain+Braids
- Conductor: Tinned copper
- Gray jacket